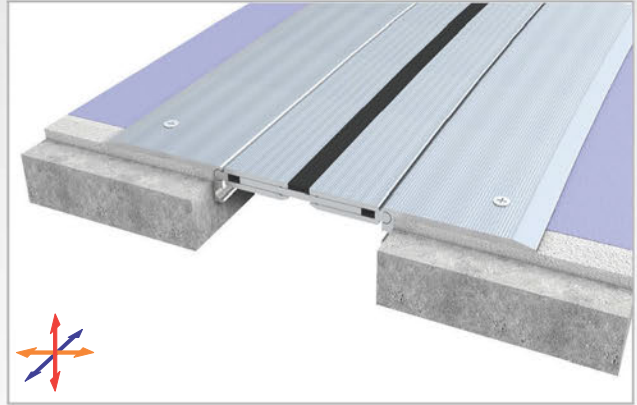
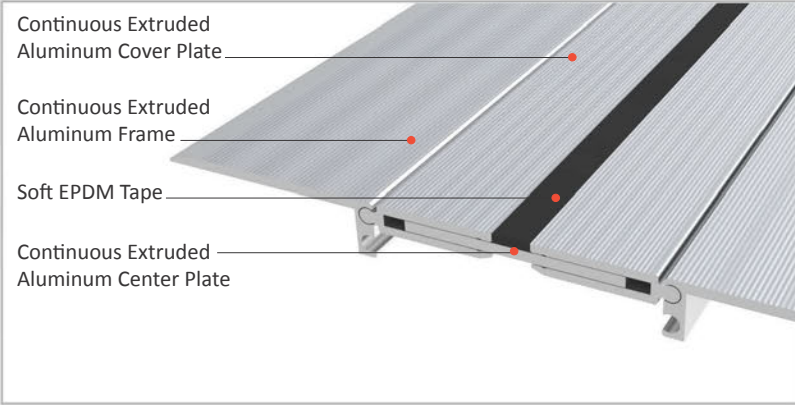


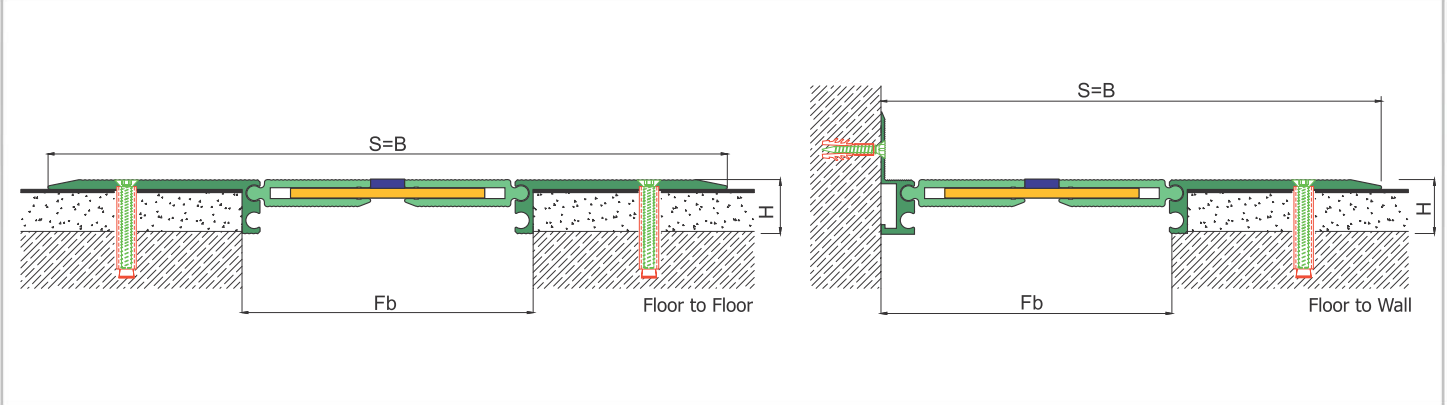


AS U241 surface mounted floor profile is applicable to all types of floors and load bearing capacity is designed for cars. Pure metal structure characterizes AS U241, as a hardwearing & maintenance free profile, is ideal also for the places with heavy pedestrian traffic. Round-headed articulated design enables the profile to meet displacements in 3 directions. Quite wide designed frames make AS U241 ideal for wavelike joints and striated surface ensures antislip. For flush mounted applications AS A227 model is available. Profiles are delivered factory-assembled.

- Application Areas** : Indoor & Outdoor / Floor
- Ideal for** : Car Parks, Shopping Malls, Airports, Residences, Hospitals, Commercial & Public Buildings etc.
- Material** : Mill Finish Aluminum (Anodizing optional), Soft EPDM Tape
- Aluminum Alloy** : 6063 AA-USA / EN AW 6063
- Optional Supplies** : Fire Barrier, Waterproof EPDM membrane



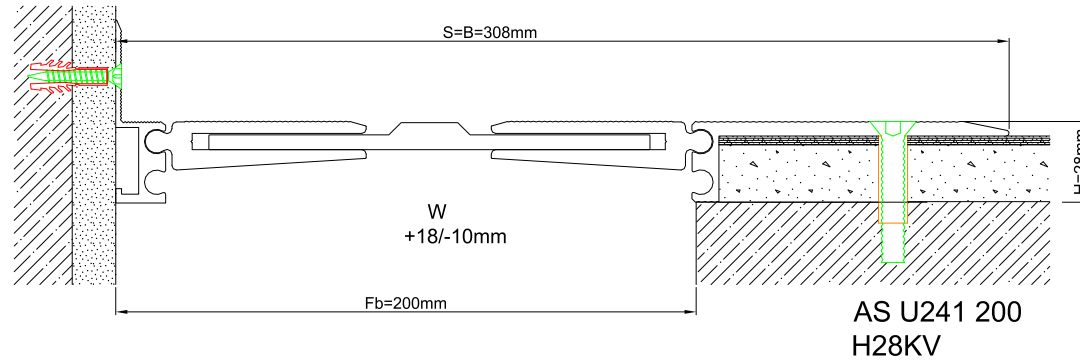
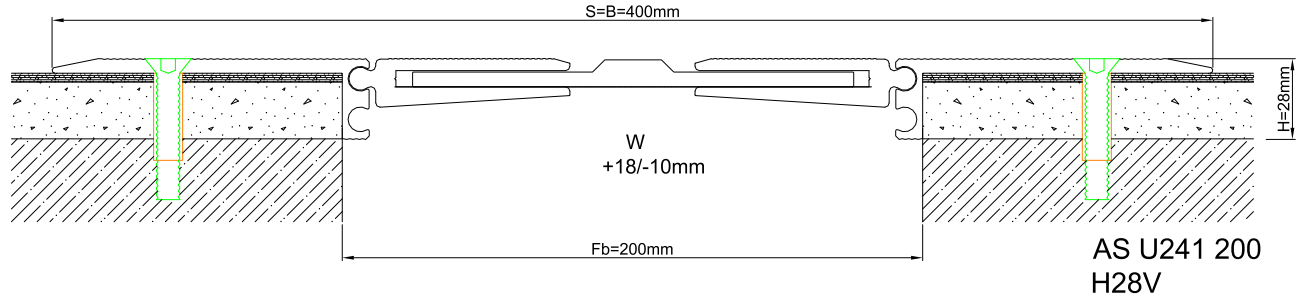
**FLOOR**



\* Visuals are representative and the profile configuration may differ depending on the characteristics requested.

LOCATION	MODEL	GAP (Fb) mm	HEIGHT (H) MM	OVERALL WIDTH (B) mm	VISIBLE WIDTH (S) mm	MOVEMENT (W) mm	LOAD CAPACITY	STANDARD LENGTH (mt)
Floor to Floor	AS U241-100	100	28	300	300	± 8		3
	AS U241-120	120	28	320	320	± 10		3
	AS U241-150	150	28	350	350	± 14		3
	AS U241-180	180	28	380	380	± 16		3
	AS U241-200	200	28	400	400	± 18		3

Note: Please ask for different sizes



Profil No Profile Number	AS U241 200	AS U241 200K
Fb (mm)	150	200
H (mm) yaklaşık approx.	28	28
W± (mm) yaklaşık approx.	+18/-10	+18/-10
Renk Color	Alüminyum: Natürel Aluminum: Natural	
Malzeme Material	Alüminyum Aluminum	
Standart Uzunluk Standard Length	3	
Yükleme Kapasitesi Load-Bearing Capacity	